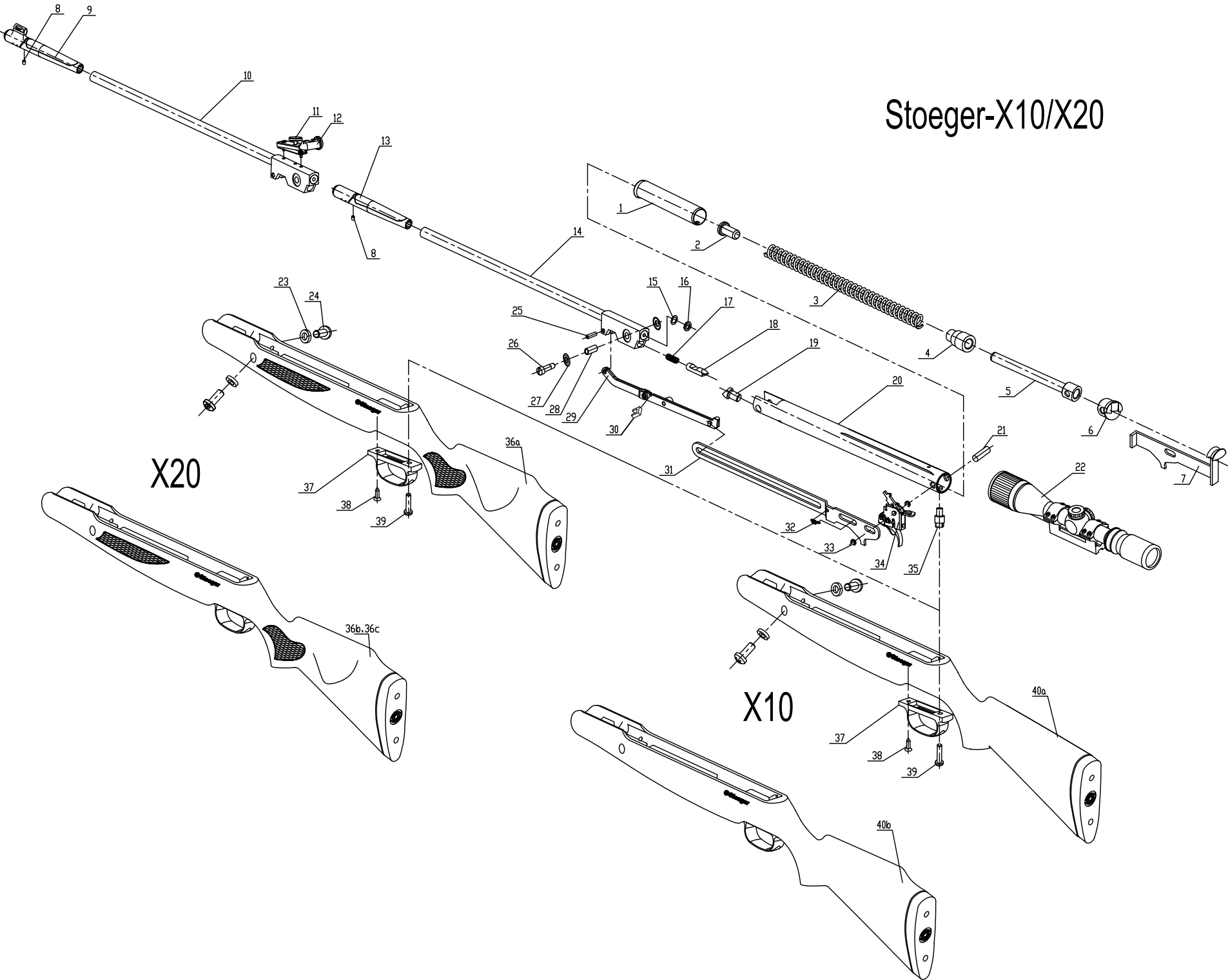


# Stoeger-X10/X20



No.	Code Name	Part Name	X10 Wood	X10 Synt	X20 Wood	X20 Synt	X20 Camo	Easy-broken parts 2% free		Revised Date
1a	B19-19-04-00(7.5J)	Piston Assembly	1	1	1	1	1	Y	just for the model which remark "7.5J"	
1b	B19-19-04-00(10J)	Piston Assembly	1	1	1	1	1	Y	just for the model which remark "10J"	
1c	B18-04-00(16J and max)	Piston Assembly	1	1	1	1	1	Y		
2	B19-19-00-2	Spring Guide	1	1	1	1	1			
3a	B19-00-4B(7.5-16J)	Piston Spring	1	1	1	1	1	Y	just for the model which remark "7.5J"、"10"Jor"16J"	
3b	B18-00-4D(max)	Piston Spring	1	1	1	1	1	Y		
4	B18-00-6	Spring Guide Cross Pin	1	1	1	1	1			
5	B19-00-100	Spring Guide Assembly	1	1	1	1	1			
6	B19-19-00-4	Tube Cover	1	1	1	1	1	Y		
7	B19-19-07-00	Safety Assembly	1	1	1	1	1	Y		
8	GB/T 77-2007 M4x4	Hexagon socket set screws with flat point	1	1	1	1	1	Y		
9	B12-2-00-1A	Muzzle Break	1	1	1	1	1	Y	just for the model which remark "with sight"	
10a	B19-19-01-100	Barrel Assembly 4,5mm	1	1	1	1	1		just for the model which remark "with sight" 4.5	04/24/10
10b	B19-19-01-100(5.5)	Barrel Assembly 5,5mm	1	1	1	1	1		just for the model which remark "with sight" 5.5	04/24/10
11	B12-2-03-300	elevation adjustent screw	1	1	1	1	1	Y		
12	B19-19-02-00	Rear Sight Assembly	1	1	1	1	1	Y	just for the model which remark "with sight"	
13	B12-2X-00-1A	Muzzle Break	1	1	1	1	1	Y	just for the model which remark "no sight"	
14a	B19-20-01-100	Barrel Assembly 4.5mm	1	1	1	1	1		just for the model which remark "no sight" 4.5	04/24/10
14b	B19-20-01-100(5.5)	Barrel Assembly 5.5mm	1	1	1	1	1		just for the model which remark "no sight" 5.5	04/24/10
15	B22-00-1A	Adjust Washer	0-2	0-2	0-2	0-2	0-2			
16	B12-00-14	Breach Seal	1	1	1	1	1	Y		04/24/10
17	B18-01-3A	Spring	1	1	1	1	1			
18	B18-01-2B	Alive Jam	1	1	1	1	1	Y		
19	B18-00-2	Detent	1	1	1	1	1			
20	B19-19-03-00	Tube Assembly	1	1	1	1	1			
21	B18-00-7	Tube Pin	1	1	1	1	1			
22a	4*32 Stoeger	Scope with 2 rings mount	1	1					just for X10 which remark "combo"	
22b	3-9*40AO Stoeger	Scope with 1 block mount			1	1	1		just for X20 which remark "combo"	
23	GB/T97.1-2002 5	Plain Washers	2		2					
24	GB/T 818-2000 M5X14	Pan Head Screws - nylok	2	2	2	2	2	Y		
25	B12-00-1B	Lever Pin	1	1	1	1	1	Y		
26	B19-2-00-2A	Break Bolt	1	1	1	1	1			
27	B18-00-15B	Break Washer	2	2	2	2	2	Y		
28	B18-01-1C	Break Bushing	1	1	1	1	1			
29	B19-19-08-00A	Lever Assembly	1	1	1	1	1			
30	B22-00-13	Lever cutting sleeve	1	1	1	1		Y		
31	B18-00-5B	Bear trap Lever	1	1	1	1	1	Y		
32	B19-19-00-5	Bear trap Spring	1	1	1	1	1			
33	GB896-86 3	E-Ring	2	2	2	2	2	Y		
34	B19-19-05-00	Trigger Pack Assembly	1	1	1	1	1			
35	B18-00-9	Stock Bolt	1	1	1	1	1	Y		
36a	B19-20-06-00	Wood Stock Assembled			1				Include one Stock pad and two screws	
36b	B19-20-a-06-00	Synthetic Stock Assembled				1			Include one Stock pad and two screws	
36c	B19-20-b-06-00	Camo Stock Assembled					1		Include one Stock pad and two screws	
37	B19-19-00-1A	Trigger Guard	1		1			Y		
38	GB/T 847 ST3.5X16	Screw	1		1			Y		
39	GB 823-88 M6X20	Small pan head screws	1	1	1	1	1	Y		
40a	B19-19-06-00	Wood Stock assembled	1						Include one Stock pad and two screws	
40b	B19-19-a-06-00	Synthetic Stock Assembled		1					Include one Stock pad and two screws	