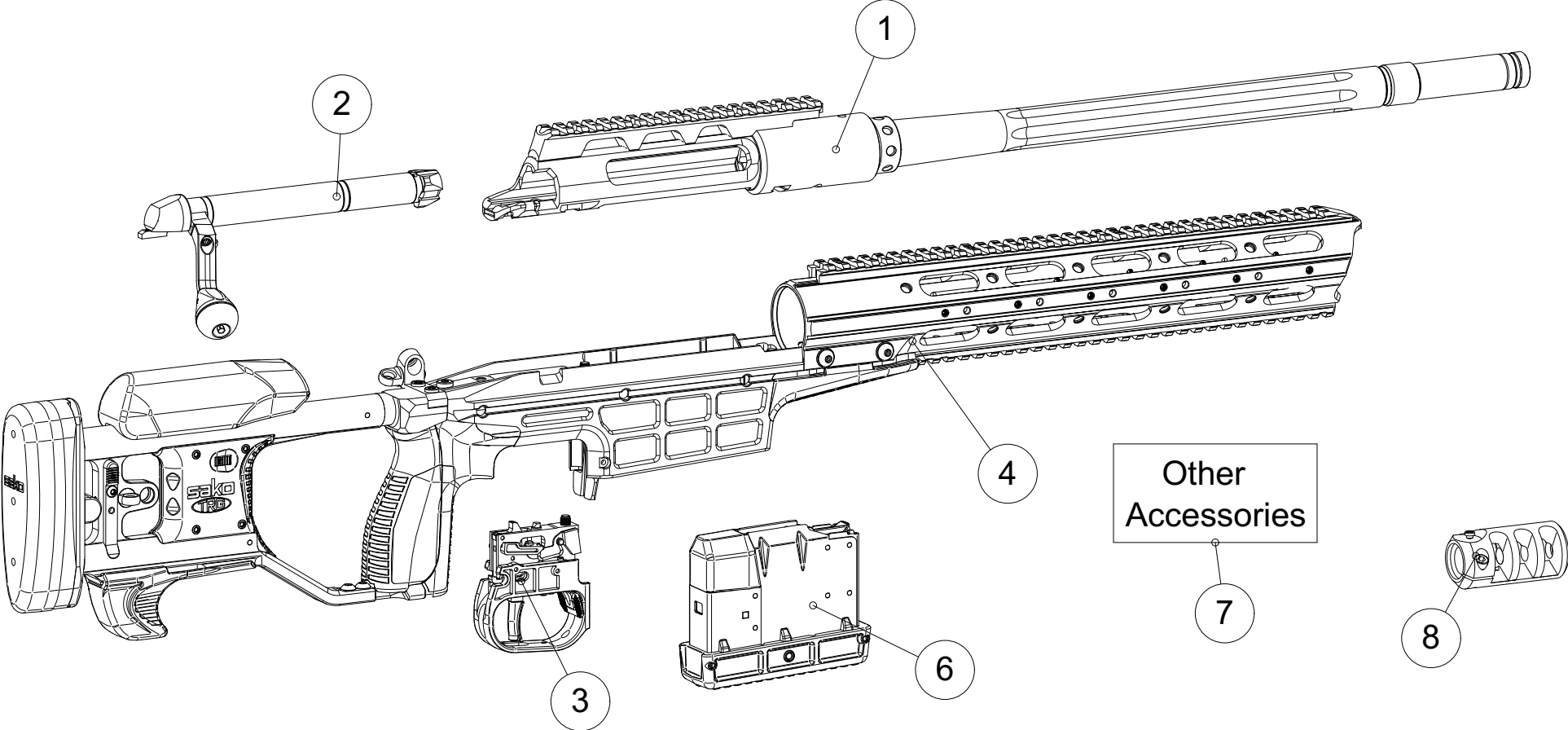


# **TRG**

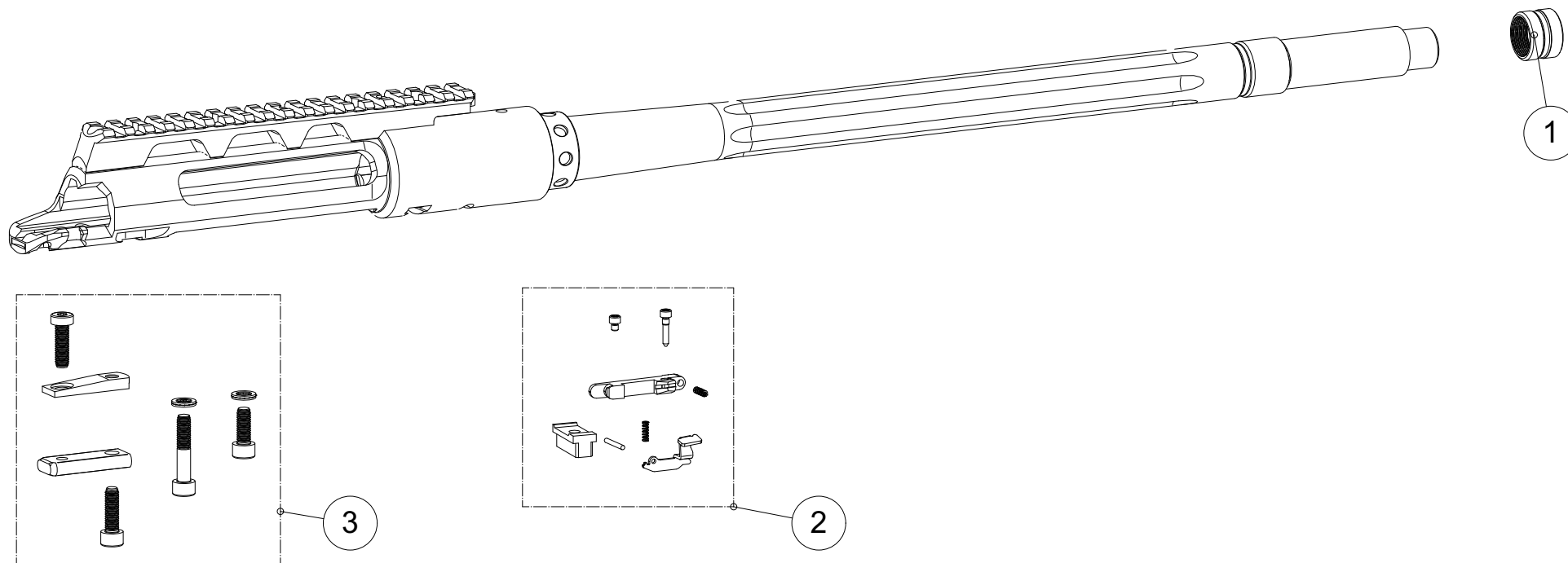
**TRG M10**  
**ACCESSORIES & SPARE PARTS**  
**CATALOGUE**



The illustrations in the document are for reference purposes only and may not depict actual products.  
19.11.2019

**ACCESSORIES AND SPARE PARTS CATALOGUE**

| Index | Code   | Item                               | Compatibility/Description | Additional information | Page |
|-------|--------|------------------------------------|---------------------------|------------------------|------|
| 1     | 204362 | BARRELED RECEIVER<br>RELATED PARTS |                           |                        | 4    |
| 2     | 204363 | BOLT RELATED PARTS                 |                           |                        | 6    |
| 3     | 204364 | TRIGGER RELATED PARTS              |                           |                        | 8    |
| 4     | 204365 | STOCK RELATED PARTS                |                           |                        | 10   |
| 5     | 204347 | BLANK PAGE                         |                           |                        | 13   |
| 6     | 204366 | MAGAZINE RELATED PARTS             |                           |                        | 14   |
| 7     | 204367 | OTHER ACCESSORIES                  |                           |                        | 16   |
| 8     | 204133 | SAKO/TIKKA MUZZLE BRAKES           |                           |                        | 18   |

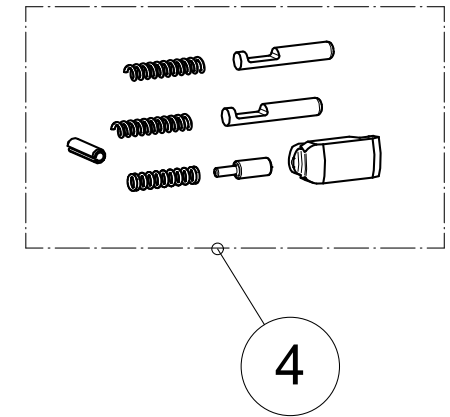
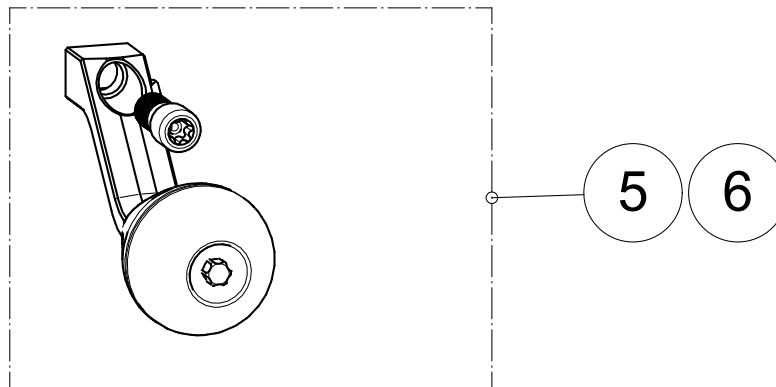
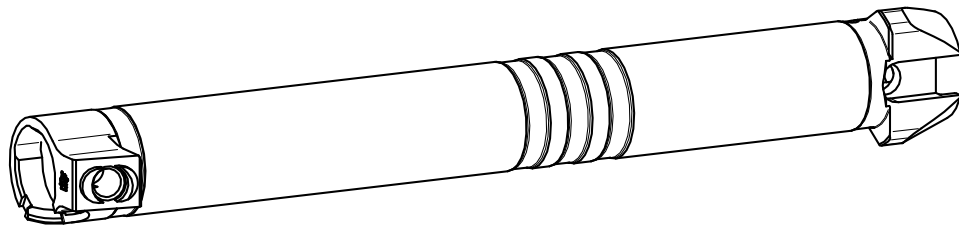
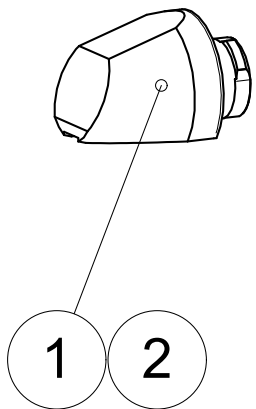
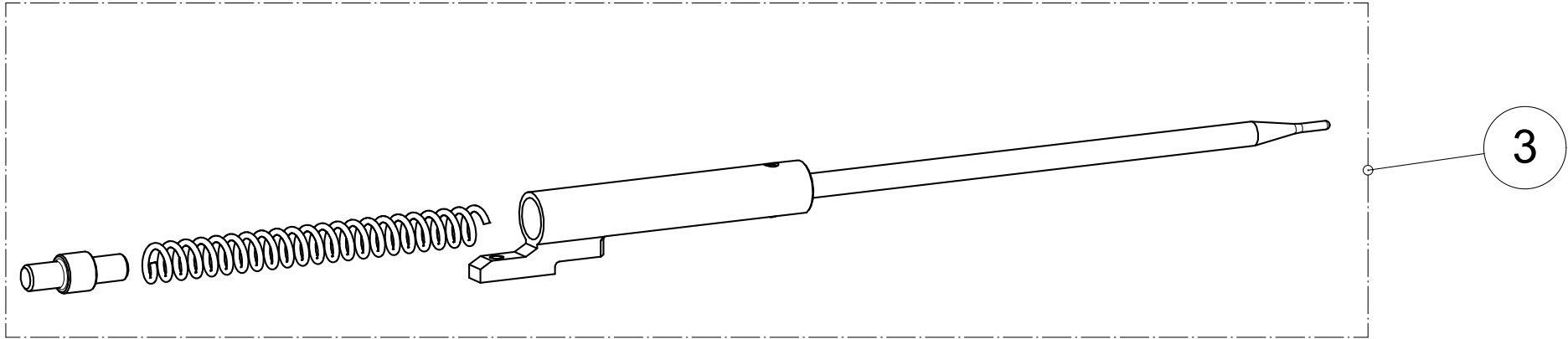


**Barreled receiver****ACCESSORIES AND SPARE PARTS CATALOGUE**

| Index | Code      | Item                    | Compatibility/Description | Additional information | Page |
|-------|-----------|-------------------------|---------------------------|------------------------|------|
| 1     | S5740405  | Muzzle thread protector | Sako/Tikka                | M18x1                  |      |
| 2     | S57762868 | Receiver Parts Set      | Sako TRG M10              |                        |      |
| 3     | S57763201 | Receiver fastening set  | Sako TRG M10              |                        |      |

**Bolt**

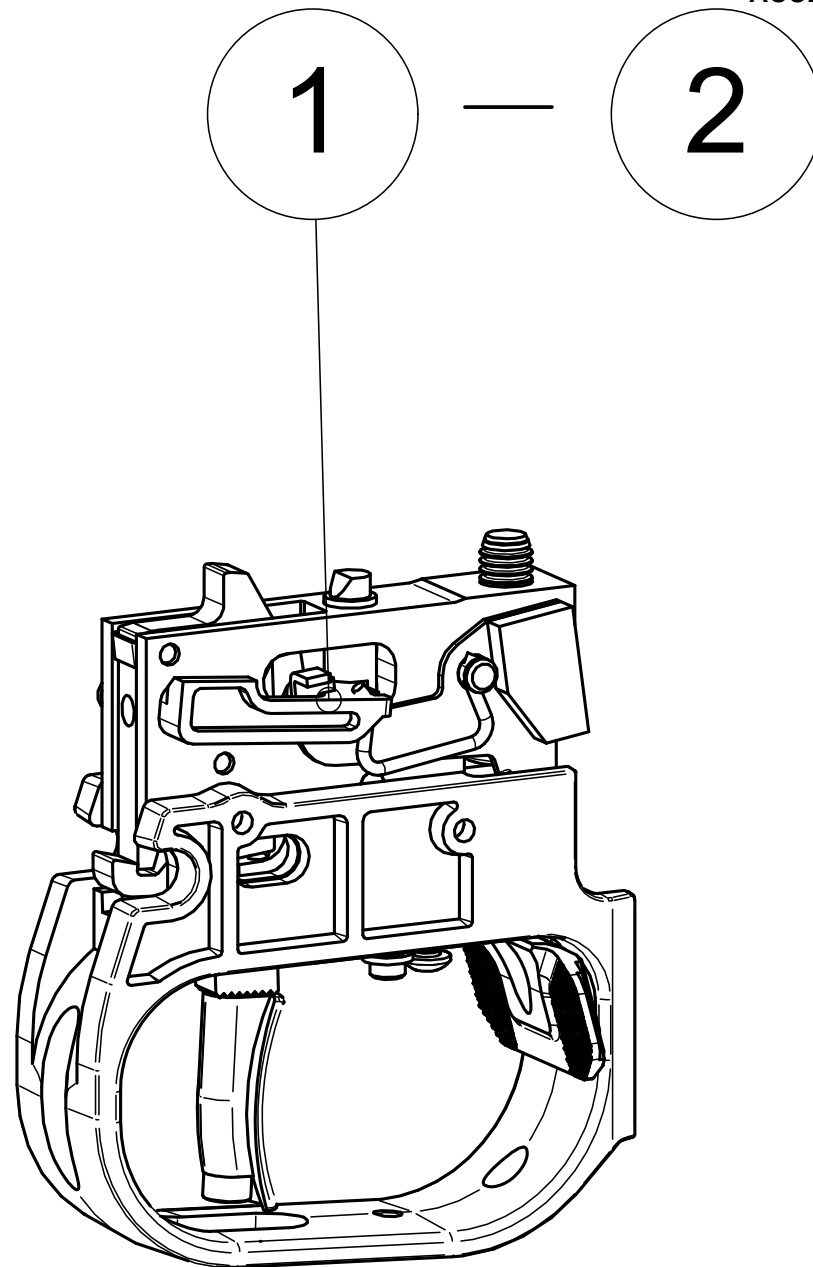
**ACCESSORIES AND SPARE PARTS CATALOGUE**



**Bolt** **ACCESSORIES AND SPARE PARTS CATALOGUE**

| Index | Code        | Item                 | Compatibility/Description | Additional information | Page |
|-------|-------------|----------------------|---------------------------|------------------------|------|
| 1     | S560204371  | Bolt shroud          | TRG M10                   | Black                  |      |
| 2     | S560204370  | Bolt shroud          | TRG M10                   | Coyote brown           |      |
| 3     | S57762866   | Firing pin assembly  | Sako TRG M10              |                        |      |
| 4     | S57765013   | Bolt spare parts set | Sako TRG M10              |                        |      |
| 5     | S57761890   | Bolt handle          | Sako TRG M10              | Black                  |      |
| 6     | S57761890CB | Bolt handle          | Sako TRG M10              | Coyote Brown           |      |

Trigger unit



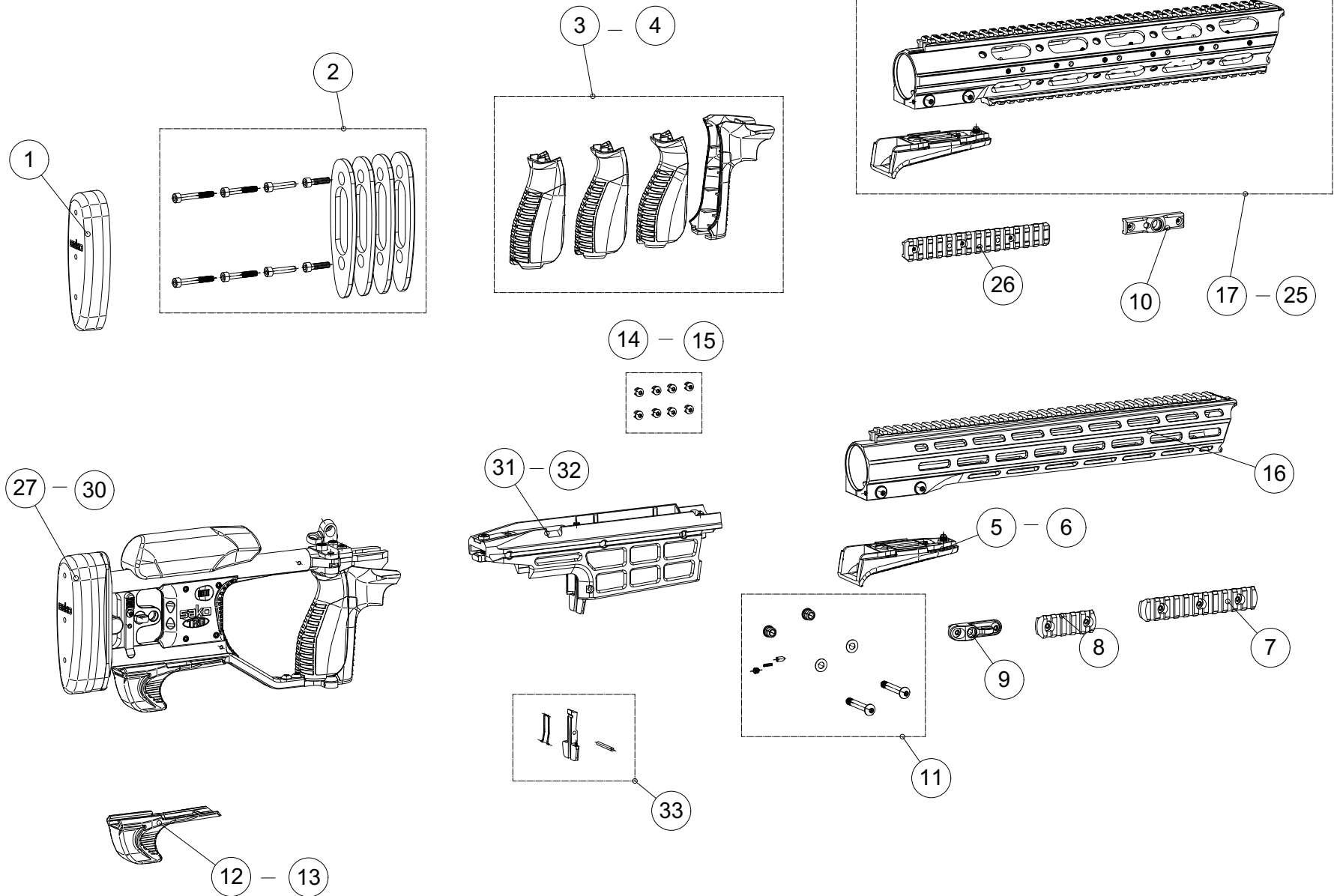


**Trigger unit****ACCESSORIES AND SPARE PARTS CATALOGUE**

| Index | Code        | Item         | Compatibility/Description | Additional information | Page |
|-------|-------------|--------------|---------------------------|------------------------|------|
| 1     | S57761673   | Trigger Unit | Sako TRG M10, 22/42 A1    | Black                  |      |
| 2     | S57761673CB | Trigger Unit | Sako TRG M10, 22/42 A1    | Coyote Brown           |      |

Stock

ACCESSORIES AND SPARE PARTS CATALOGUE



The illustrations in the document are for reference purposes only and may not depict actual products.  
19.11.2019

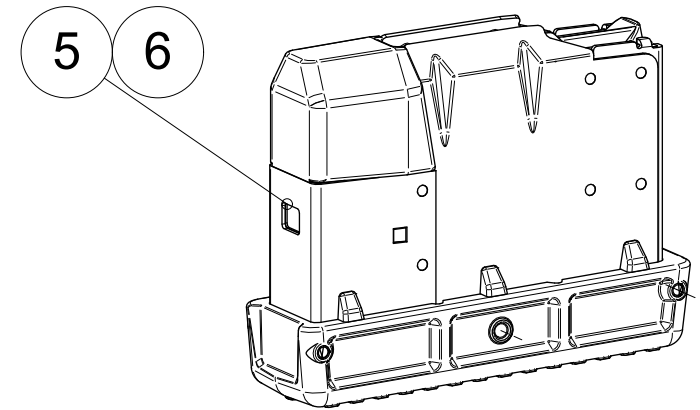
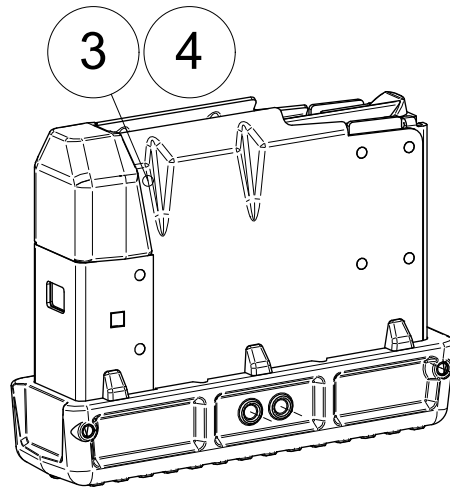
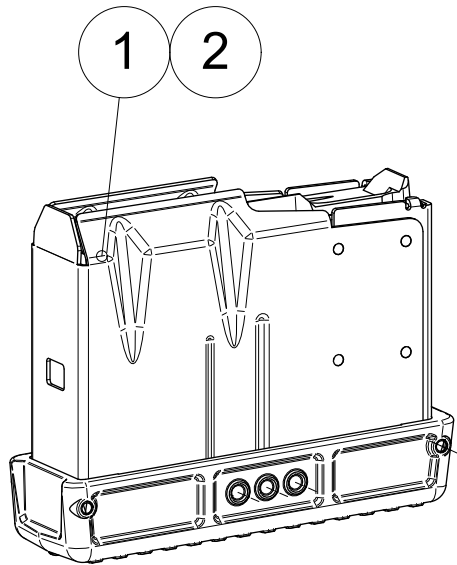
**Stock****ACCESSORIES AND SPARE PARTS CATALOGUE**

| Index | Code        | Item                     | Compatibility/Description | Additional information        | Page |
|-------|-------------|--------------------------|---------------------------|-------------------------------|------|
| 1     | S57462438   | Recoil pad, M08          | Sako TRG                  | Sako 85 BLWO/CRWO, Quad Range |      |
| 2     | S5740908    | Recoil pad spacer set    | TRG M10, 22/42 A1         | Tikka T3x TAC A1              |      |
| 3     | S57762886CB | Pistol Grip Set          | Sako TRG M10, 22/42 A1    | Coyote Brown                  |      |
| 4     | S57762886   | Pistol Grip Set          | Sako TRG M10, 22/42 A1    | Black                         |      |
| 5     | S57761880CB | Tool housing complete    | Sako TRG M10, 22/42 A1    | Coyote Brown                  |      |
| 6     | S57761880   | Tool housing complete    | Sako TRG M10, 22/42 A1    | Black                         |      |
| 7     | S530203841  | Accessory rail L         | M-LOK                     | Stanag 4694, 11 slots         |      |
| 8     | S530204090  | Accessory rail S         | M-LOK                     | Stanag 4694, 5 slots          |      |
| 9     | S540201130  | Sling swivel socket      | M-LOK                     | MIL-sling lug/QD sling socket |      |
| 10    | S57761974   | Swivel socket assy MC    | Sako TRG M10              | Black                         |      |
| 11    | S57769497   | Hand guard fastening set | Sako TRG M10, 22/42 A1    | Black                         |      |
| 12    | S550203659  | Hand support             | Sako TRG M10, 22/42 A1    | Coyote brown                  |      |
| 13    | S550203658  | Hand support             | Sako TRG M10, 22/42 A1    | Black                         |      |
| 14    | S57762888CB | Wire Holder Set          | Sako TRG M10, 22/42 A1    | Coyote Brown                  |      |
| 15    | S57762888   | Wire Holder Set          | Sako TRG M10, 22/42 A1    | Black                         |      |
| 16    | S550203656  | Hand guard assembly      | Sako TRG M10, 22/42 A1    | L, M-LOK, 30MOA, Coyote Brown |      |
| 17    | S57762840   | Hand guard assembly SRR  | Sako TRG M10              | 30MOA, Black                  |      |
| 18    | S57762840CB | Hand guard assembly SRR  | Sako TRG M10              | 30MOA, Coyote Brown           |      |
| 19    | S57762843   | Hand guard assembly SRR  | Sako TRG M10              | 20MOA, Black                  |      |
| 20    | S57762843CB | Hand guard assembly SRR  | Sako TRG M10              | 20MOA, Coyote Brown           |      |
| 21    | S57762844   | Hand guard assembly LRR  | Sako TRG M10              | 30MOA, Black                  |      |
| 22    | S57762844CB | Hand guard assembly LRR  | Sako TRG M10              | 30MOA, Coyote Brown           |      |
| 23    | S57762845   | Hand guard assembly LRR  | Sako TRG M10              | 20MOA, Black                  |      |
| 24    | S57762845CB | Hand guard assembly LRR  | Sako TRG M10              | 20MOA, Coyote Brown           |      |
| 25    | S57762864CB | Hand guard assembly XLRR | Sako TRG M10              | 30MOA, Coyote Brown           |      |
| 26    | S57762854   | Side picatinny rail XL   | Sako TRG M10              | Black                         |      |
| 27    | S57761945CB | Folding stock            | Sako TRG M10, 22/42 A1    | Coyote Brown, Right-handed    |      |
| 28    | S57761945   | Folding stock            | Sako TRG M10              | Black, Right-handed           |      |
| 29    | S57761947   | Folding stock            | Sako TRG M10              | Black, Left-handed            |      |
| 30    | S57761947CB | Folding stock            | Sako TRG M10              | Coyote Brown, Left-handed     |      |
| 31    | S57761898CB | Body assembly            | Sako TRG M10              | Coyote Brown                  |      |
| 32    | S57761898   | Body assembly            | Sako TRG M10              | Black                         |      |

**Stock****ACCESSORIES AND SPARE PARTS CATALOGUE**

| Index | Code      | Item                      | Compatibility/Description | Additional information | Page |
|-------|-----------|---------------------------|---------------------------|------------------------|------|
| 33    | S57763202 | Magazine release complete | Sako TRG M10              |                        |      |

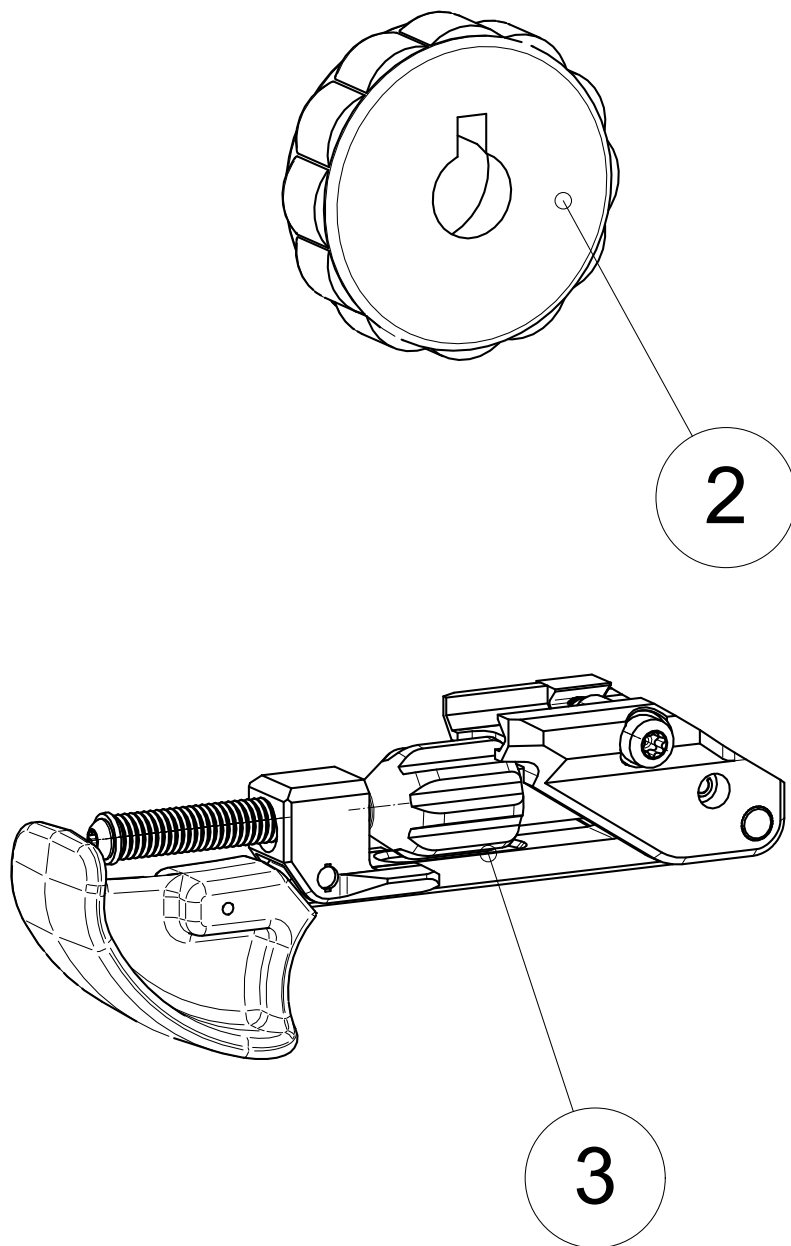
Intentionally left blank



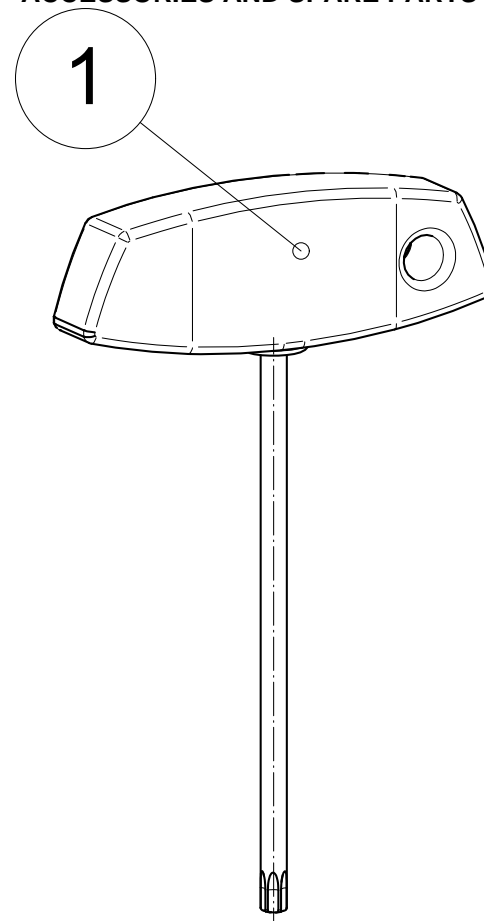
**Magazines****ACCESSORIES AND SPARE PARTS CATALOGUE**

| Index | Code        | Item                        | Compatibility/Description | Additional information             | Page |
|-------|-------------|-----------------------------|---------------------------|------------------------------------|------|
| 1     | S57761814   | Magazine 8rd, Black         | TRG M10                   | 338 Lapua Magnum, 300 Norma Magnum |      |
| 2     | S57761814CB | Magazine 8rd, Coyote Brown  | TRG M10                   | 338 Lapua Magnum, 300 Norma Magnum |      |
| 3     | S57761939   | Magazine 7rd, Black         | TRG M10                   | 300 Win Mag                        |      |
| 4     | S57761939CB | Magazine 7rd, Coyote Brown  | TRG M10                   | 300 Win Mag                        |      |
| 5     | S57761923   | Magazine 10rd, Black        | TRG M10                   | 308 Win, 6.5CRMR                   |      |
| 6     | S57761923CB | Magazine 10rd, Coyote Brown | TRG M10                   | 308 Win, 6.5CRMR                   |      |

Other parts and accessories



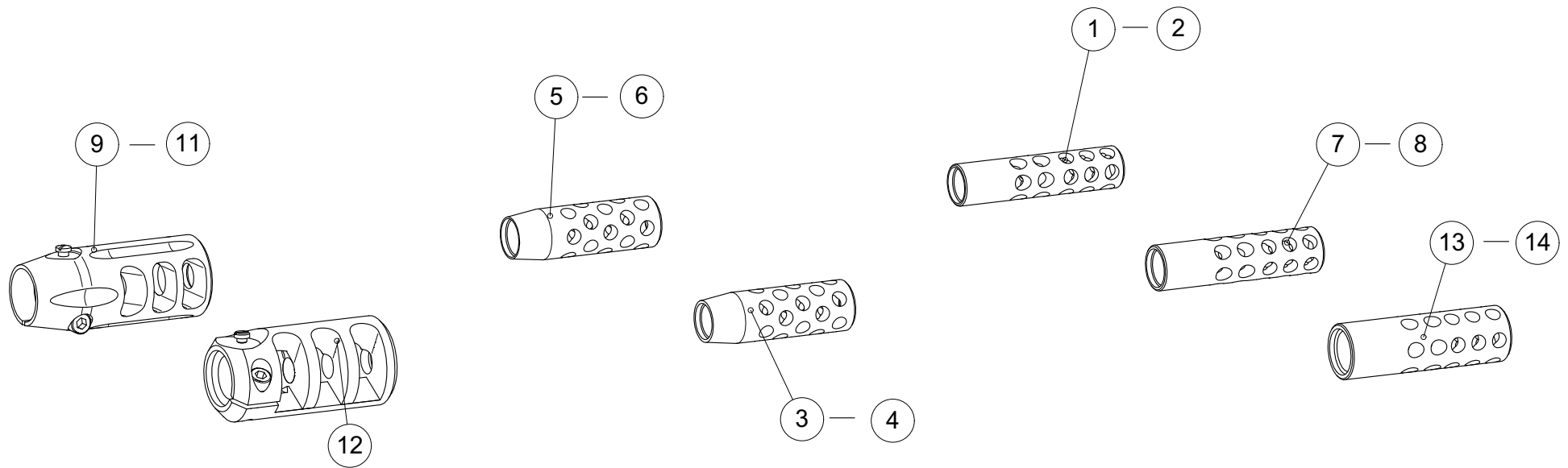
ACCESSORIES AND SPARE PARTS CATALOGUE





**Other parts and accessories****ACCESSORIES AND SPARE PARTS CATALOGUE**

| Index | Code      | Item                   | Compatibility/Description | Additional information | Page |
|-------|-----------|------------------------|---------------------------|------------------------|------|
| 1     | S59564005 | Torx driver, T25       | Sako                      |                        |      |
| 2     | S5740900  | Cocking wrench         | Sako TRG, 85/L-XL         |                        |      |
| 3     | S57762061 | Monopod / Rear Support | Sako TRG M10, 22/42 A1    | Black                  |      |



**Muzzle brakes****ACCESSORIES AND SPARE PARTS CATALOGUE**

| Index | Code       | Item                     | Compatibility/Description | Additional information     | Page |
|-------|------------|--------------------------|---------------------------|----------------------------|------|
| 1     | S530203976 | Muzzle brake, slim       | Sako/Tikka, M14x1         | Max 7.8mm/30cal            |      |
| 2     | S530203974 | Muzzle brake, slim       | Sako/Tikka, M14x1         | Stainless, Max 7.8mm/30cal |      |
| 3     | S54063159  | Muzzle brake Conical     | Sako/Tikka, M14x1         | Max 7.8mm/30cal            |      |
| 4     | S54063160  | Muzzle brake Conical     | Sako/Tikka, M14x1         | Stainless, Max 7.8mm/30cal |      |
| 5     | S54063157  | Muzzle brake Conical     | Sako/Tikka, M15x1         | Max 7.8mm/30cal            |      |
| 6     | S54063161  | Muzzle brake Conical     | Sako/Tikka, M15x1         | Stainless, Max 7.8mm/30cal |      |
| 7     | S54067687  | Muzzle brake Slim        | Sako/Tikka, M15x1         | Max 7.8mm/30cal            |      |
| 8     | S54067685  | Muzzle brake Slim        | Sako/Tikka, M15x1         | Stainless, Max 7.8mm/30cal |      |
| 9     | S54065100  | Muzzle brake             | Sako/Tikka, 5/8in-24      | Max 7.8mm/30cal            |      |
| 10    | S54065103  | Muzzle brake             | Sako/Tikka, 5/8in-24      | Stainless, Max 7.8mm/30cal |      |
| 11    | S57469748  | Muzzle brake TAC conical | Sako/Tikka, M18x1         | Max 8.7mm/338cal           |      |
| 12    | S5740412   | Muzzle Brake, TAC/TRG    | Sako/Tikka, M18x1         | Max 8.7mm/338cal           |      |
| 13    | S530203637 | Muzzle brake, slim       | Sako/Tikka, M18x1         | Max 7.8mm/30cal            |      |
| 14    | S530204345 | Muzzle brake, slim       | Sako/Tikka, M18x1         | Stainless, Max 7.8mm/30cal |      |