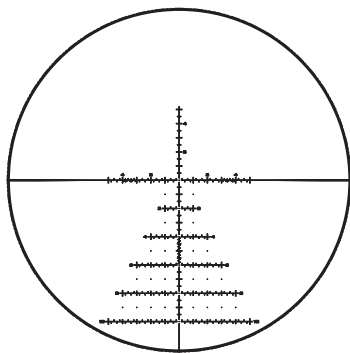
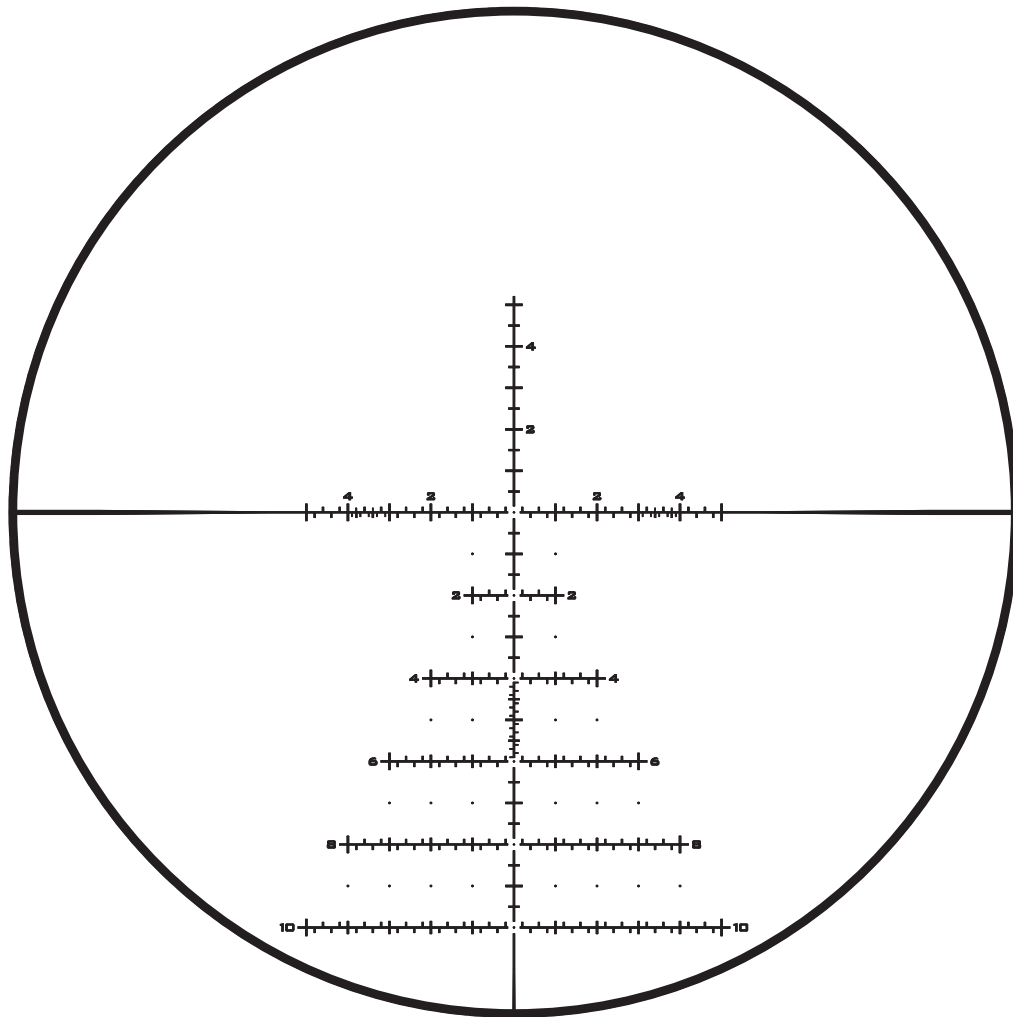


SCOPE: TS-20 JVCR

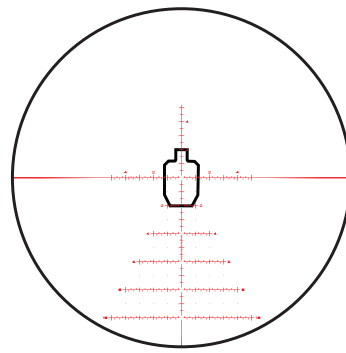
TYPE: MIL RADIANS

RETICLE: JVCR

POWER: 2.5-20X



NON-ILLUMINATED



ILLUMINATED